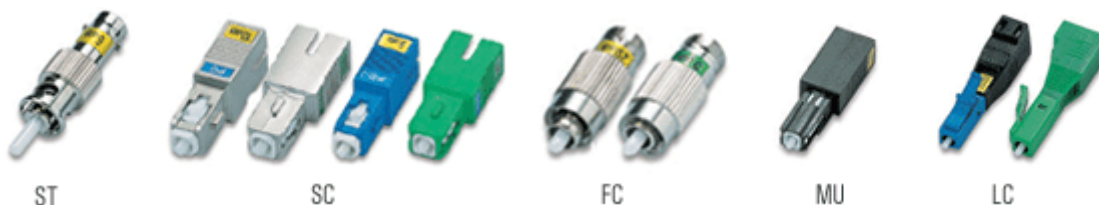


PLUG TYPE ATTENUATORS



Features

- Optimized ion doped fiber technology
- Various Fixed attenuation available
- Superior durability
- Low polarization dependence
- Superior spectral flatness and very low ripples
- Withstands high optical power up to 1W
- Telecordia std(GR-910-CORE) conformed

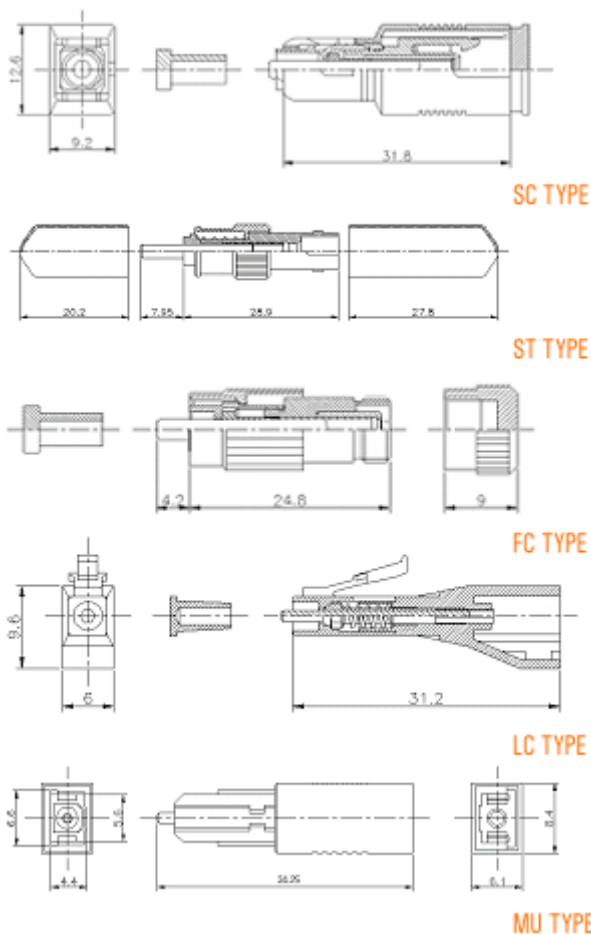
Application

- Telecommunication Network
- CATV Network
- Data communication
- Instrumentation
- Local Area Network

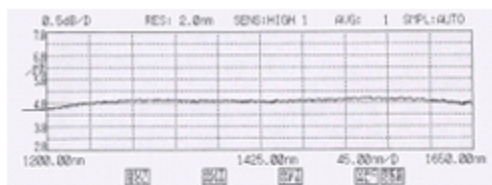
Specifications

Characteristics		Single Mode (9/125 μ m)	Multi Mode (GI 50/125,62.5/125 μ m)
Attenuation Value		0dB to 20dB(1dB step), 25dB, 30dB	0dB to 25dB(1dB step)
Operating wavelength		1260nm ~ 1620nm	850nm or 1300nm, 1310nm
Return loss	SPC	≥ 40 dB	
	UPC	≥ 55 dB	
	APC	≥ 65 dB	
Attenuation Tolerance	1dB ~ 10dB	± 0.5 dB	± 0.5 dB
	10dB ~ 15dB	± 1.0 dB	
	16dB ~ 30dB	± 2.0 dB	
Maximum Power Capability		1 W	

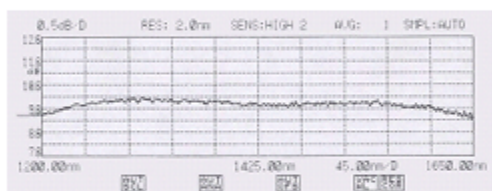
Appearance



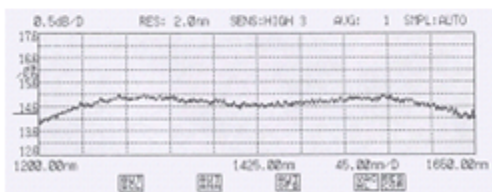
Wavelength dependence



5dB



10dB



15dB